

# retrospective 360° surveillance halocam analogue pro series



- Record the entire fisheye view in high resolution, independent of PTZ activity
- Go back in time and PTZ the camera to look somewhere else
- Go back in time and zoom in 7x without loss of detail
- Play forwards, backwards, fast forward, fast reverse and single step
- 5-6 days recording; 35-40 days with intelligent 24/7 recording
- Playback via Halocam or remotely over TCP/IP
- Halocorder is situated locally up to 3 metres / 10 feet from Halocam

## full 360° playback



Playback screen shots on Halocam output

Halocorder can be viewed through an analogue channel on a Halocam. Simple key actions on industry-standard CCTV controllers toggle between live / playback without interrupting recording. Navigable timeline indicates recorded events and facilitates easy navigation by zooming and panning the timeline or stepping between events. Use VCAMS on the recorded footage and PTZ retrospectively with 7x zoom.

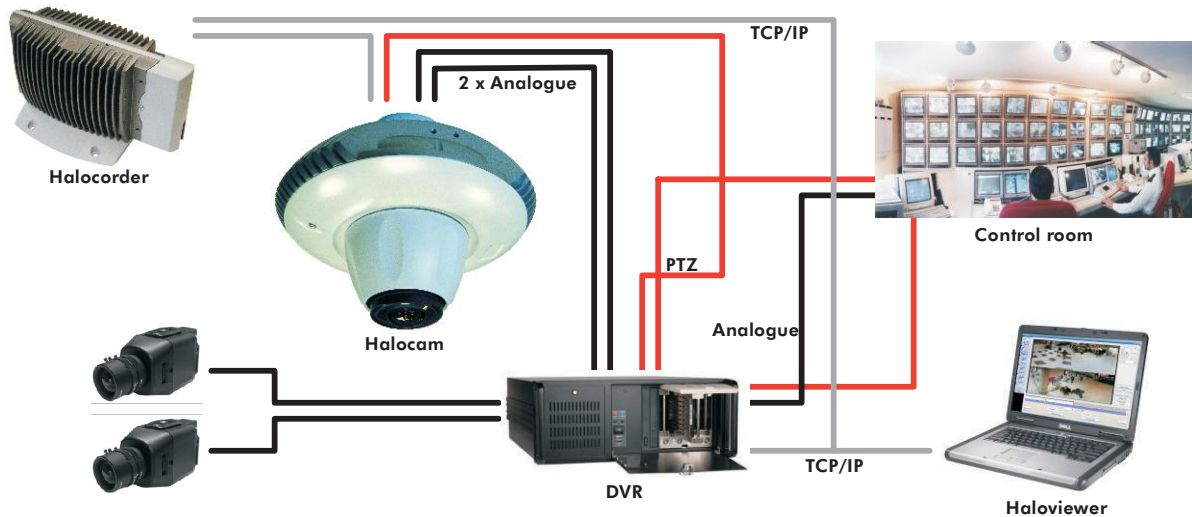
## 360° remote viewing

Haloviewer enables remote viewing of live Halocam or recorded Halocorder footage. Haloviewer runs on a standard Windows PC and connects to the recorder over TCP/IP, enabling viewing on a local or remote PC. Hi-res video can be downloaded and archived. Self-contained CDs/DVDs can be generated which include a simple interface for retrospective playback and complete ePTZ of the surveillance footage.



Playback screen shots from Haloviewer

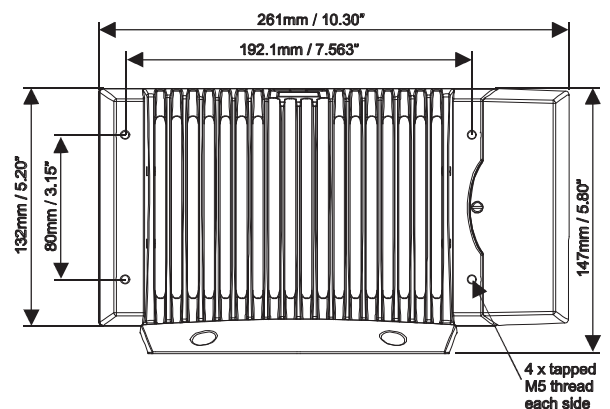
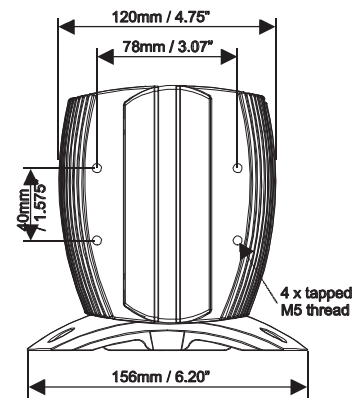
# seamless system integration



Halocorder can be easily integrated into an existing analogue installation with a single connection to a Halocam. A more effective integration can be achieved by connecting the TCP/IP link to the Halocorder to facilitate remote viewing and archival via Haloviewer. A unified DVR interface may be achieved by integrating Grandeye's SDK pack into the DVR to offer more advanced functionality (such as long-term archival).

## specifications

Retrospective pan and tilt	Yes - see a full 360° after the fact
Retrospective optical equivalent zoom	Yes- approximately 7x zoom after the fact
Retrospective VMD	Yes - carry out motion detection and tracking after the fact
Retrospective scene analysis	Yes- left luggage, object removal and scene change
Playback	Yes - play forwards, backwards, up to 32x
Single frame stepping	Yes - forwards and backwards
Graphical timeline display	Yes
Time and date searching	Yes
Event searching	Yes
Event locking	Yes- protect user definable sections and / or events from erasure
Motion detection / tracking	Yes (accessed via camera)
Password protection	Yes
Resolution	3 megapixel
Storage capacity	400GB continuous rated hard disk drive Event-based: up to several months. Continuous: up to several weeks dependent upon lighting conditions, frame rate and quality (user selectable) example: -5 days from continuous recording (24/7), 4 fps, highest quality, with 300 Lux lighting conditions
Continuous recording	Yes
Event based recording	Yes
Scheduled recording	Yes
Simultaneous recording & playback (Duplex)	Yes
Auto record on power-up	Yes
Recording speeds	1, 2 or 4 frames per second
Recording failure detection	Yes - on screen and / or via alarm output
Recording tamper detection	Yes - 384 bit hash proprietary authentication signature
Record pre / post alarm	Yes - up to 30 seconds
Video compression	Proprietary, user selectable
Video format	PAL or NTSC (via camera)
Mono / colour	Colour and B&W night mode (via camera)
Power source rating	24V AC/DC +/- 10%, 2 Amps
Power consumption	30W
Control protocols	RS485: Pelco-D, Fastrax II, Vista PD. RS232: Bosch Autodome; all auto-sensing; via camera
Alarm inputs	4 N/O or N/C (via camera)
Alarm output	1 N/O or N/C (via camera)
Software upgrade	Upgrade enabled via LAN (10/100BaseT)
Time / date generator	Yes - including NTP time support; synchronised with camera
Weight	3.5kg, 7lg 12oz
Size	L x W x H: 261 x 147 x 156mm; 10.28 x 5.79 x 6.14
Operating temperature range	5 - 35°C, 41 to 95°F 5 - 40°C, 41 to 104°F with forced air flow (e.g. external fan)
Storage temperature range	-10 - 60°C, 14 to 140°F
Mounting	Upright; within 3 metres / 10 feet of the camera
Camera input	1 360° camera per recorder
Certifications	EMC CISPR Class A, FCC Class A, CE, UL2044 (UL2043 with conduit kit)



**grandeye**